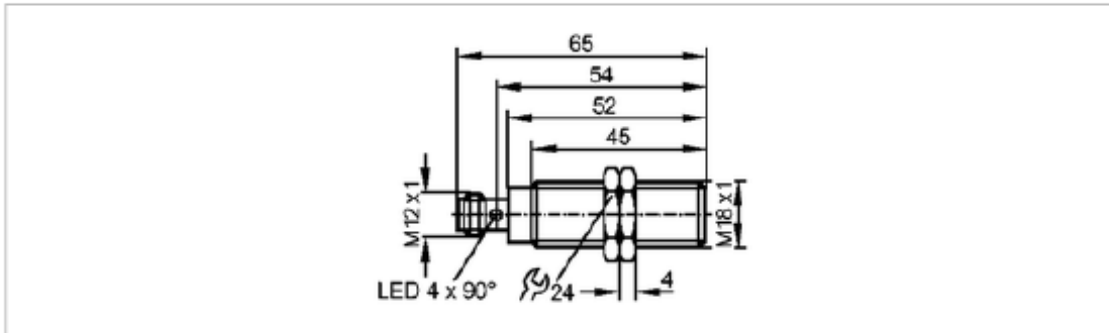


IGW200

Inductive sensors



Made in Germany

Product characteristics	
Inductive sensor	
Metal thread M18 x 1	
Connector	
Electromagnetic-field immune	
gold-plated contacts	
Correction factor = 1	
Sensing range 5 mm; [f] flush mountable	
Electrical data	
Electrical design	DC PNP
Operating voltage [V]	10...30 DC
Current consumption [mA]	< 20
Protection class	II
Reverse polarity protection	yes
Outputs	
Output function	normally open
Voltage drop [V]	< 2.5
Current rating [mA]	200
Short-circuit protection	pulsed
Overload protection	yes
Switching frequency [Hz]	2000
Range	
Sensing range [mm]	5
Real sensing range (Sr) [mm]	5 ± 10 %
Operating distance [mm]	0...4.05
Accuracy / deviations	
Correction factors	mild steel = 1 / stainless steel approx. 1 / brass approx. 1 / aluminium approx. 1 / copper approx. 1

 Courtenay House, Monument Way East, Woking,
 Surrey GU21 5LY, United Kingdom

 Tel: +44(0)844 443 7925
 Fax: +44(0)844 443 7928

 Web Site: www.medcotas.com